

LED LINEAR STRIP LIGHT WITH 5 WATTAGE AND 5 CCT



APPLICATIONS



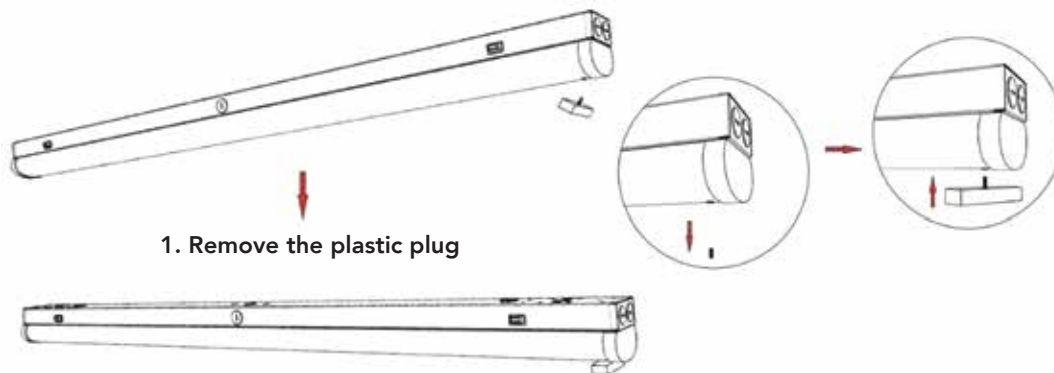
PRODUCT SPECIFICATIONS

WATTAGES	4ft- 30/40/50/60/70W selectable 8ft- 60/70/80/90/100W selectable
COLOR TEMPS	30K, 35K, 40K, 50K, 65K selectable
EFFICACY	160 lm/W
LUMENS	30W- 4,800; 40W- 6,400; 50W- 8,000; 60W- 9,600; 70W- 11,200; 80W- 12,800; 90W- 14,400; 100W- 16,000
INPUT VOLTAGE	120-277VAC
DIMMABLE	0-10V
OPERATING TEMP	-13° to 140°F
INSTALLATION	Surface mounted, Suspension, Recessed
RATED	IP20
LISTED	UL
WARRANTY	5 year

PART NUMBERS

ZL-SL-4FT-70-60-50-40-30W-5CCT-LG
ZL-SL-8FT-100-90-80-70-60W-5CCT-LG

DIMENSIONS



1. Remove the plastic plug

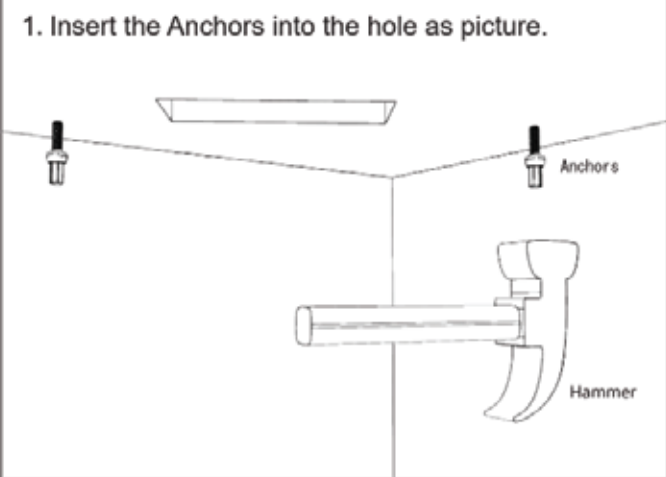
2. The sensor can be inserted into the aligned base

LED LINEAR STRIP LIGHT WITH 5 WATTAGE AND 5 CCT

INSTALLATION

Surface Mounted Installation

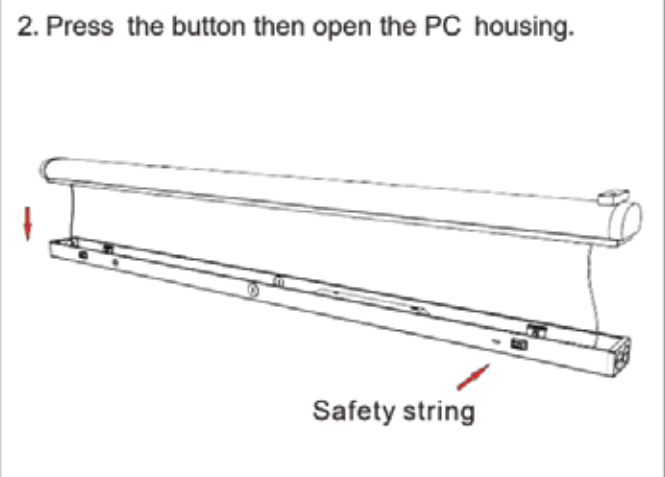
1. Insert the Anchors into the hole as picture.



Anchors

Hammer

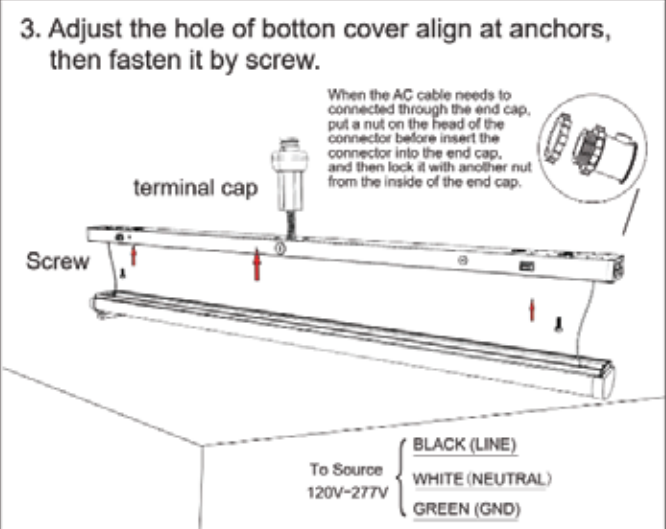
2. Press the button then open the PC housing.



Safety string

3. Adjust the hole of bottom cover align at anchors, then fasten it by screw.

When the AC cable needs to be connected through the end cap, put a nut on the head of the connector before insert the connector into the end cap, and then lock it with another nut from the inside of the end cap.

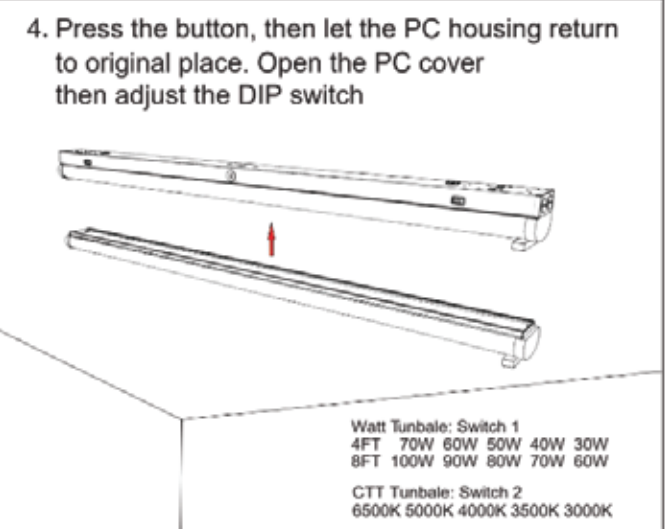


terminal cap

Screw

To Source { BLACK (LINE)
120V-277V WHITE (NEUTRAL)
GREEN (GND)

4. Press the button, then let the PC housing return to original place. Open the PC cover then adjust the DIP switch



Watt Tunbale: Switch 1
4FT 70W 60W 50W 40W 30W
8FT 100W 90W 80W 70W 60W

CTT Tunbale: Switch 2
6500K 5000K 4000K 3500K 3000K

LED LINEAR STRIP LIGHT WITH 5 WATTAGE AND 5 CCT

INSTALLATION

Suspension Installation

