

LED EMERGENCY DRIVERS



- Constant output power. Self-testing.
- Long life high temperature recyclable LiFePO4/Li-ion battery.
- Includes 2-in 1 test switch and charge indicator light.
- Suitable for use in dry and damp location.

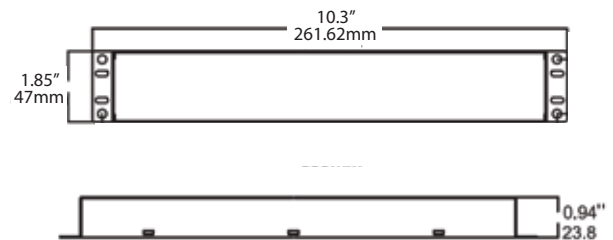
8W

- **MODEL:** 8W
- **PART NUMBER:** BL-EMRG-FXT-8D-A
- **INPUT VOLTAGE:** 120/277V
- **OUTPUT VOLTAGE:** 170VDC
- **EMERGENCY POWER:** 8W
- **EMERGENCY TIME:** 90 mins
- **CHARGING TIME:** 24 hours
- **DIMENSIONS:** 10.3" x 1.85" x 0.94"
- **AMBIENT TEMPERATURE:** 32-122F
- **BATTERY:** Lithium
- **WARRANTY:** 5 years



Recommended Fixtures: Downlight

DIMENSIONS



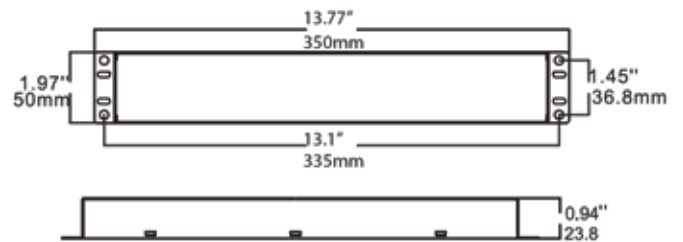
15W

- **MODEL:** 15W
- **PART NUMBER:** BL-EMRG-FXT-15D-A
- **INPUT VOLTAGE:** 120/277V
- **OUTPUT VOLTAGE:** 170VDC
- **EMERGENCY POWER:** 15W
- **EMERGENCY TIME:** 90 mins
- **CHARGING TIME:** 24 hours
- **DIMENSIONS:** 13.77" x 1.97" x 0.94"
- **AMBIENT TEMPERATURE:** 32-122F
- **BATTERY:** Lithium
- **WARRANTY:** 5 years



Recommended Fixtures: Flat panels, recessed lights 6" or 8", troffers, 4ft strips, vapors

DIMENSIONS



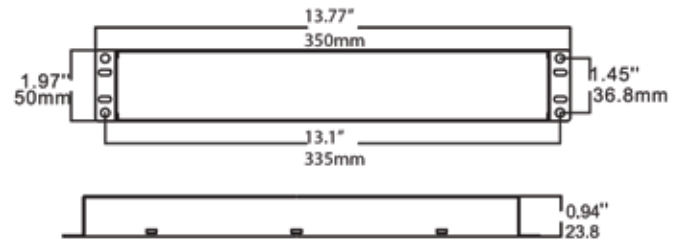
LED EMERGENCY DRIVERS

25W

- **MODEL:** 25W
- **PART NUMBER:** BL-EMRG-FXT-25D-A
- **INPUT VOLTAGE:** 120/277V
- **OUTPUT VOLTAGE:** 170VDC
- **EMERGENCY POWER:** 25W
- **EMERGENCY TIME:** 90 mins
- **DIMENSIONS:** 13.1" x 1.97" x 0.94"
- **AMBIENT TEMPERATURE:** 32-122F
- **BATTERY:** Lithium
- **WARRANTY:** 5 years

Recommended Fixtures: Linear high bay, flat panels, vapors, downlights 8" or 10"

DIMENSIONS

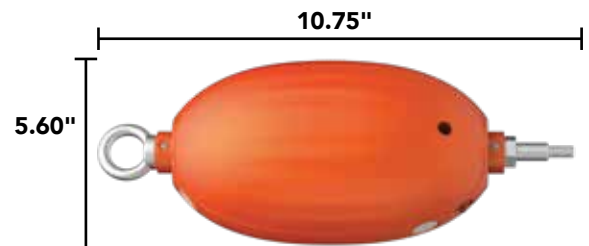


UFO

- **PART NUMBER:** ZL-EMRG-BLD-RM-40D-YYY
- **INPUT VOLTAGE:** 100-347V
- **OUTPUT VOLTAGE:** 170VDC
- **OUTPUT WATTAGE:** 40W
- **EMERGENCY TIME:** 90 mins
- **CHARGING TIME:** 24 hours
- **DIMENSIONS:** 10.75" x 5.60"
- **AMBIENT TEMPERATURE:** 5-50C; 41-122F
- **BATTERY:** Li-ion battery
- **WARRANTY:** 5 years

Recommended Fixtures: UFOs

DIMENSIONS



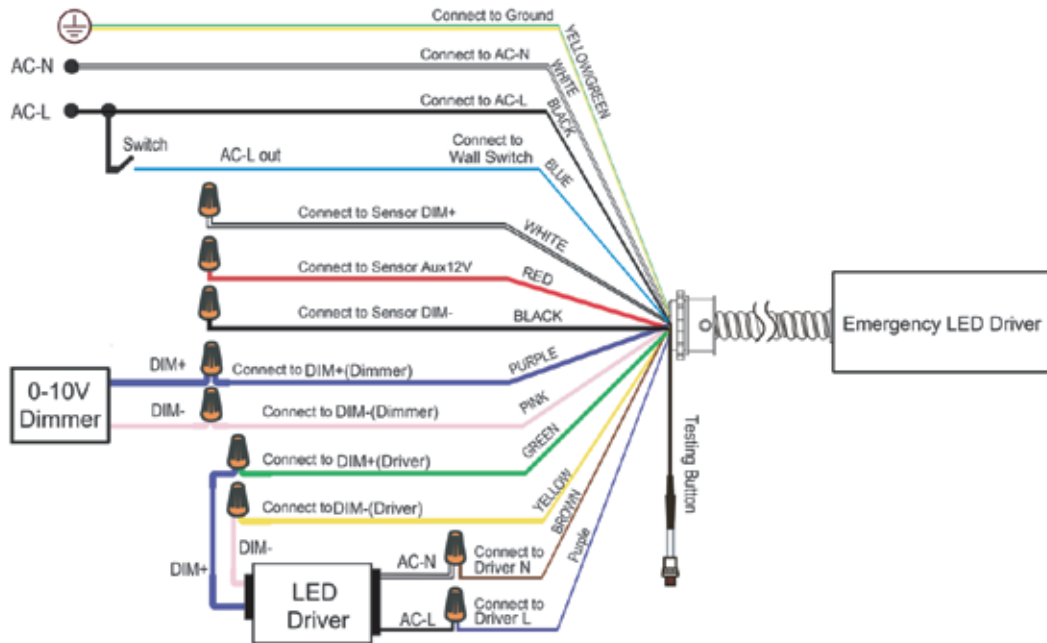
UL924 standard and CSA 22.2,
No. 141 for USA and Canada.
California Energy Commission (CEC)
Title 20 with BC compliant



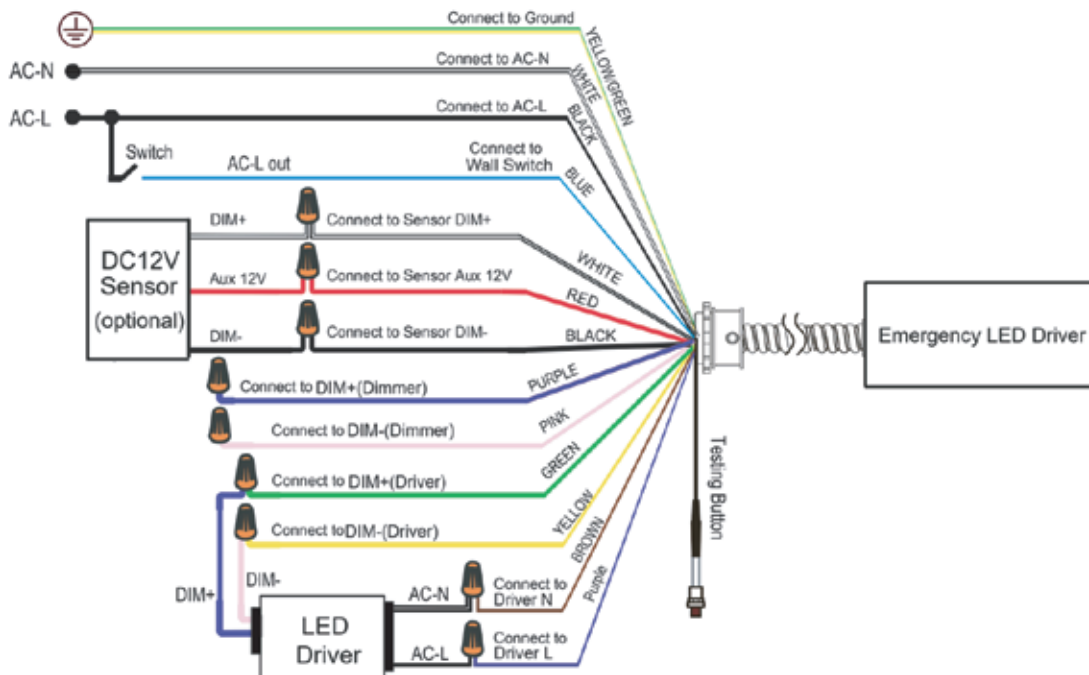
LED EMERGENCY DRIVERS

WIRING DIAGRAM

1: For LED Driver With Input Power Higher Than Emergency Output Power



2: For LED Driver With Input Power Higher Than Emergency Output Power



LED EMERGENCY DRIVERS

WIRING DIAGRAM

3: For LED Driver With Input Power Less Than Emergency Output Power

