

## 6" LED ARCHITECTURAL DOWNLIGHT FRAME IN KIT



### PRODUCT SPECIFICATIONS

|                          |   |
|--------------------------|---|
| <b>WATTAGES</b>          | 10W, 14W, 22W, 32W, 44W                                       |
| <b>COLOR TEMPS</b>       | 27K, 30K, 35K, 40K  |
| <b>EFFICACY</b>          | 100 lm/W  |
| <b>LUMENS</b>            | 10W- 1,000; 14W- 1,400;<br>22W- 2,200; 32W- 3,200; 44W- 4,400 |
| <b>INPUT VOLTAGE</b>     | 120/277V  |
| <b>CRI</b>               | 90  |
| <b>DIMMABLE</b>          | 120/277VAC, Tri-Mode (0~10V/Triac/ELV)                        |
| <b>EMERGENCY BATTERY</b> | Sold separately   |
| <b>WARRANTY</b>          | 5 year  |

### APPLICATIONS

- Office spaces
- Retail stores
- Restaurants

Accentuating architecture or design elements such as artwork, alcoves, or ceilings.

Suitable for damp locations



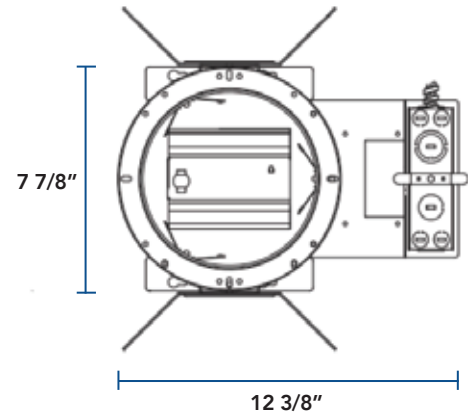
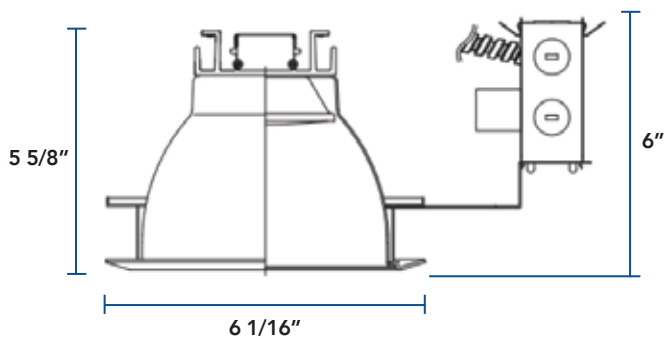
### PRODUCT BUILDER

ex: ZL-LED-AD-FINK-6IN-10W-27K-TL

|        | TYPE                       | STYLE             | SIZE | WATTAGE                         | COLOR TEMP               |    |
|--------|----------------------------|-------------------|------|---------------------------------|--------------------------|----|
| ZL-LED | AD                         | FINK              | 6IN  |                                 |                          | TL |
|        | AD=Architectural Downlight | FINK=Frame in Kit |      | 10W<br>14W<br>22W<br>32W<br>44W | 27K<br>30K<br>35K<br>40K |    |

### DIMENSIONS

Ceiling Cut-out- 6 1/2"



## 6" LED ARCHITECTURAL DOWNLIGHT FRAME IN KIT

### ARCHITECTURAL DOWNLIGHT TRIMS



Specular Open Reflector



Baffle w/ Reflector



Baffle w/ Regressed Lens



Reflector w/ Regressed Lens



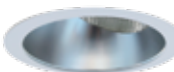
Wall Wash w/ Reflector Plate



Reflector w/ Frosted Floating Lens



Reflector w/ Frosted 3.5" Center Hole Lens



Optional Sloped Ceiling Adaptor

**DISCLAIMER:**

Please note that not all Downlight housing compatibility trims in this catalog are compatible with every product line. Compatibility may vary based on specific product specifications, installation requirements, and system configurations. We recommend verifying product compatibility with your specific lighting needs before purchasing. If you have any questions or need assistance, please contact our sales team for further guidance.

### PRODUCT BUILDER

ex: ZL-LED-AD-FINK-4IN-10W-27K-TL

| ZLED-TRIM | SIZE                                   | STYLE  | REFLECTOR FINISH                  | TRIM RING FINISH  |
|-----------|--|--|-----------------------------------|---|
| ZLED-TRIM | 4=4 inches<br>6=6 inches<br>8=8 inches | SOR=Specular Open Reflector<br>BRW=Baffle w/ Reflector - White<br>BRK=Baffle w/ Reflector - Black<br>BRLW=Baffle w/ Regressed Lens - White<br>BRLK=Baffle w/ Regressed Lens - Black<br>RRL=Reflector w/ Regressed Lens<br>WWRP=Wall Wash w/ Reflector Plate<br>RFFL=Reflector w/ Frosted Floating Lens<br>RFCHL=Reflector with Frosted 3.5" center Hole Lens<br>SCA=Optional Sloped Ceiling Adaptor* | WP=White Painted<br>HZ=Haze Clear | WH=White Plastic Trim Ring - Standard<br>WHR=White Metal Ring<br>SN=Satin Nickel<br>CH=Chrome<br>PSF=Polished Self Flange (for Open or Wall Wash Reflectors*) |