

4" LED ARCHITECTURAL DOWNLIGHT FRAME IN KIT



PRODUCT SPECIFICATIONS

WATTAGES	10W, 14W, 22W, 32W
COLOR TEMPS	27K, 30K, 35K, 40K
EFFICACY	100 lm/W
LUMENS	10W- 1,000; 14W- 1,400; 22W- 2,200; 32W- 3,200
INPUT VOLTAGE	120/277V
CRI	90
DIMMABLE	120/277VAC, Tri-Mode (0~10V/Triac/ELV)
EMERGENCY BATTERY	Sold separately
WARRANTY	5 year

APPLICATIONS

- Office spaces
- Retail stores
- Restaurants

Accentuating architecture or design elements such as artwork, alcoves, or ceilings.

Suitable for damp locations

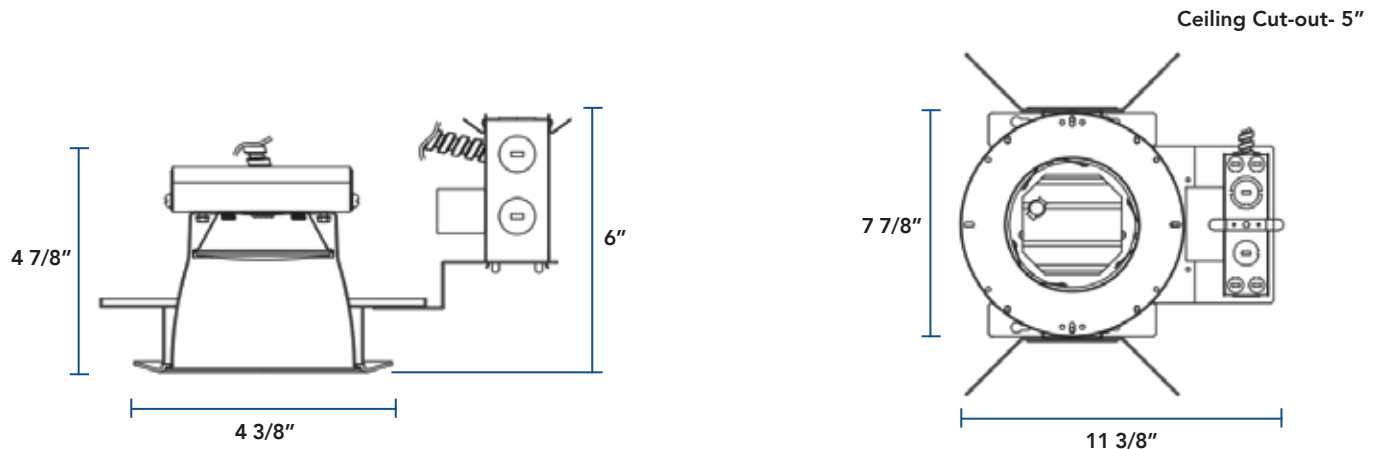


PRODUCT BUILDER

ex: ZL-LED-AD-FINK-4IN-10W-27K-TL

ZL-LED	-	TYPE AD	-	STYLE FINK	-	SIZE 4IN	-	WATTAGE	-	COLOR TEMP	-	TL
		AD=Architectural Downlight		FINK=Frame in Kit				10W 14W 22W 32W		27K 30K 35K 40K		

DIMENSIONS



4" LED ARCHITECTURAL DOWNLIGHT FRAME IN KIT

ARCHITECTURAL DOWNLIGHT TRIMS



Specular Open Reflector



Baffle w/ Reflector



Baffle w/ Regressed Lens



Reflector w/ Regressed Lens



Wall Wash w/ Reflector Plate



Reflector w/ Frosted Floating Lens



Reflector w/ Frosted 3.5" Center Hole Lens



Optional Sloped Ceiling Adaptor

DISCLAIMER:

Please note that not all Downlight housing compatibility trims in this catalog are compatible with every product line. Compatibility may vary based on specific product specifications, installation requirements, and system configurations. We recommend verifying product compatibility with your specific lighting needs before purchasing. If you have any questions or need assistance, please contact our sales team for further guidance.

PRODUCT BUILDER ex: ZL-LED-AD-FINK-4IN-10W-27K-TL

	SIZE	STYLE	REFLECTOR FINISH	TRIM RING FINISH
ZLED-TRIM	-	-	-	-
	<p>4=4 inches 6=6 inches 8=8 inches</p>	<p>SOR=Specular Open Reflector BRW=Baffle w/ Reflector - White BRK=Baffle w/ Reflector - Black BRLW=Baffle w/ Regressed Lens - White BRLK=Baffle w/ Regressed Lens - Black RRL=Reflector w/ Regressed Lens WWRP=Wall Wash w/ Reflector Plate RFFL=Reflector w/ Frosted Floating Lens RFCHL=Reflector with Frosted 3.5" center Hole Lens SCA=Optional Sloped Ceiling Adaptor*</p>	<p>WP=White Painted HZ=Haze Clear</p>	<p>WH=White Plastic Trim Ring - Standard WHR=White Metal Ring SN=Satin Nickel CH=Chrome PSF=Polished Self Flange (for Open or Wall Wash Reflectors*)</p>