

|                      |  |
|----------------------|--|
| Job / Project Name   |  |
| Product Model Number |  |
| Quantity             |  |
| Date                 |  |

## 2.4 G LED RGB CONTROLLER

### PRODUCT FEATURES

- Charging Voltage: 5VDC
- Working Current: <30mA
- Working Frequency: 2.4GHz
- RF Remote Distance: 98 feet
- Battery Capacity: 100mAh
- Dimensions (LxWxH): 5.70" x 2.16" x 0.86"
- Part Number: ZL-T3M-RGB-REMOTE

The RF remote controller can control multiple receivers independent of one another for up to 10 zones.

The center of the color wheel of the remote displays the color chosen and activated on the controlled leds.

### SYSTEM DIAGRAM

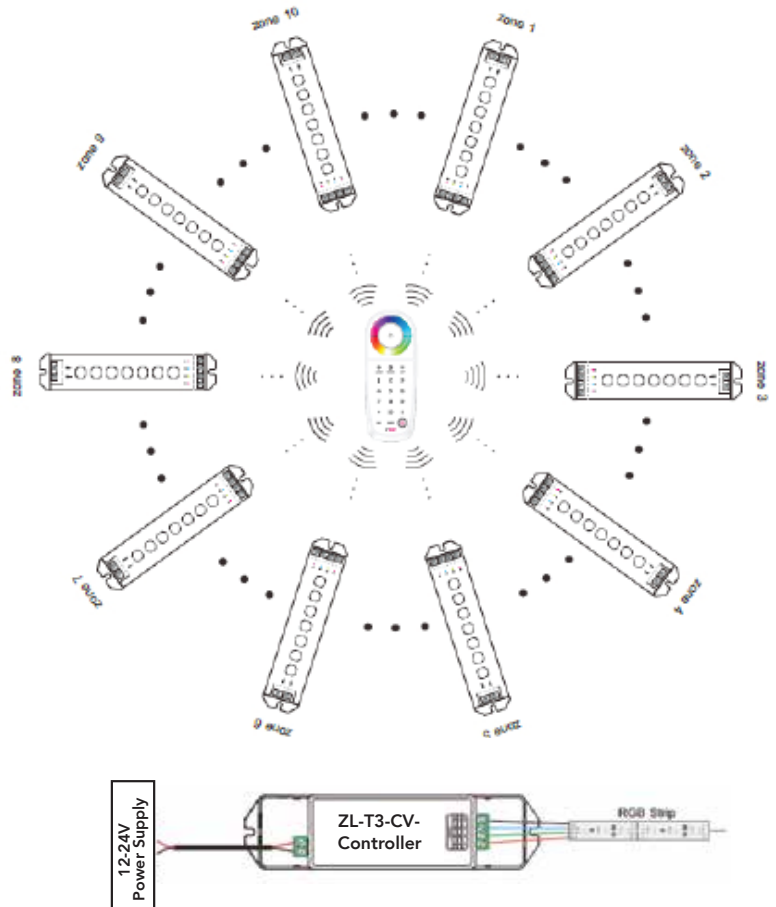
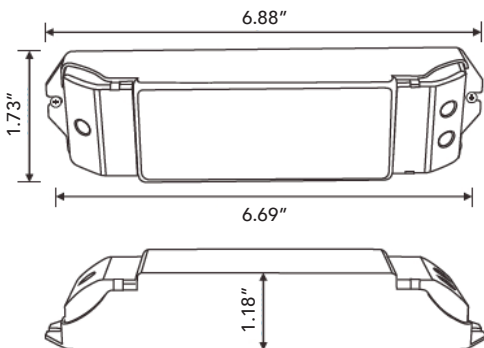
The receivers can be divided into 1~10 zones within effective distance (1 pc. receiver per zone), no wiring needed between the receivers.



ZL-T3-M-Remote

## ZL-T3-CV-CONTROLLER

- Compatible Remote: T1, T3M
- Wireless Signal: 2.4GHz
- Input Voltage: 5-24VDC
- Max. Current Load: 6A x 3CH, Max 18A
- Max. Current Power: 90W/216W/432W (5V/12V/24V)
- Working Temperature: -22 to 131F
- Dimensions (LxWxH): 6.88" x 1.73" x 1.18"
- Part Number: ZL-T3CV-CONTROLLER



## THE LEARNING ID METHOD OF REMOTE CONTROL

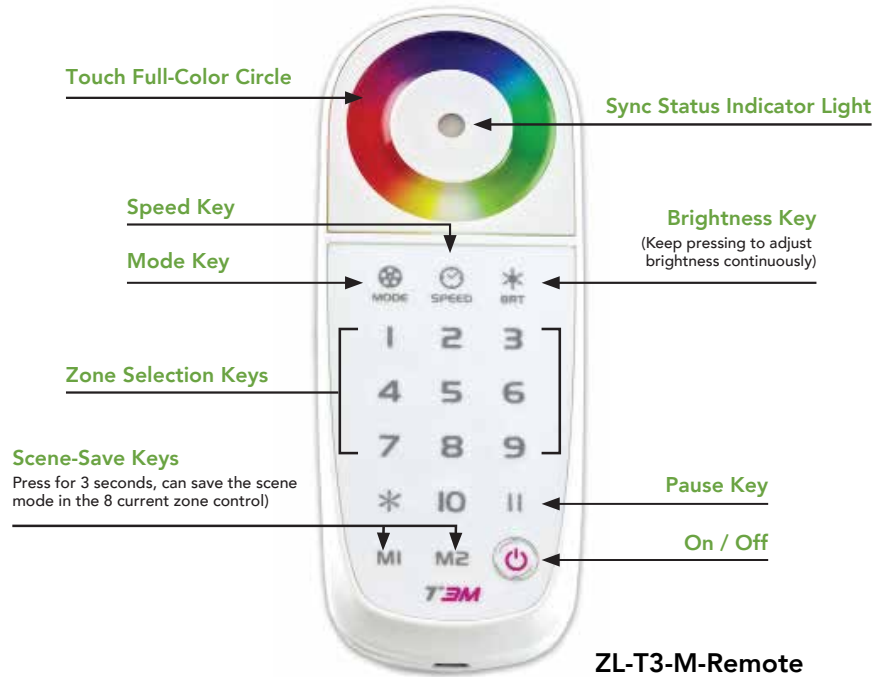
ZL-T3-CV/ZL-T3-CV learning ID:

- 1) Turn on the receiver and remote control.
- 2) Short press "ID learning button" on the receiver, the running light keeps on, then hold any keys of 1-10 zone on the remote, the running light returns to flash (the buzzer long beep, the green light flashes 3 times), activated successful.

## ZONING INSTRUCTIONS

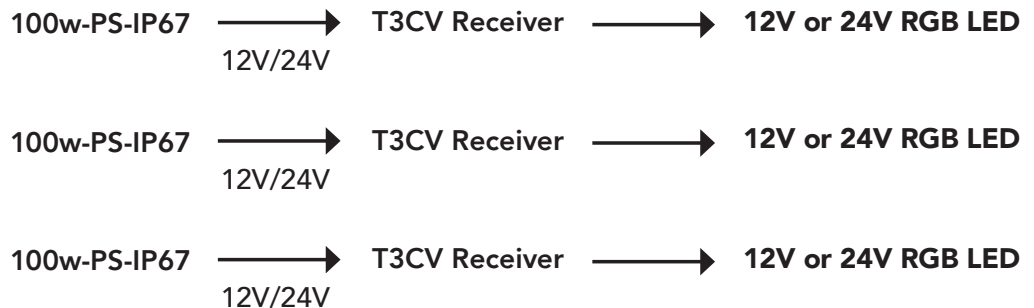
- Select one of the zone: Press keys **1-10** on the remote control.
- Select zone control arbitrarily: Press **\*any number\***, ex: take 456 as a zone, should press **\*456\***
- All choose (10 zones): Press **\*** twice.
- Press **Pause** button in 3 seconds, the buzzer can be on or off.

## OPERATION PANEL & COMPONENT INSTRUCTION



## WIRING DIAGRAM ZL-T3-M CONTROLLER

Example setup



## TABLE OF CHANGING MODE:

| # | MODE                    | DESCRIPTION                 | # | MODE                            | DESCRIPTION                 |
|---|-------------------------|-----------------------------|---|---------------------------------|-----------------------------|
| 1 | 3 colors skipping       | Speed/brightness adjustable | 1 | Green cyan color smooth         | Speed/brightness adjustable |
| 2 | 7 colors skipping       | Speed/brightness adjustable | 2 | Blue purple color smooth        | Speed/brightness adjustable |
| 3 | White strobe            | Speed/brightness adjustable | 3 | Green yellow color smooth       | Speed/brightness adjustable |
| 4 | 7 colors strobe         | Speed/brightness adjustable | 4 | Blue cyan color smooth          | Speed/brightness adjustable |
| 5 | RGB fade-out/fade-in    | Speed/brightness adjustable | 5 | Red purple color smooth         | Speed/brightness adjustable |
| 6 | Red green color smooth  | Speed/brightness adjustable | 6 | Blue white color smooth         | Speed/brightness adjustable |
| 7 | Red blue color smooth   | Speed/brightness adjustable | 7 | Yellow purple cyan color smooth | Speed/brightness adjustable |
| 8 | Green blue color smooth | Speed/brightness adjustable | 8 | Green blue color smooth         | Speed/brightness adjustable |
| 9 | Red yellow color smooth | Speed/brightness adjustable | 9 | Red yellow color smooth         | Speed/brightness adjustable |

## OTHER SPECIAL FUNCTIONS

### A) Reset Function:

**Feature:** Reset function is available when remote operates abnormally.

**Operation:** Hold the "M2" & "on/off" buttons simultaneously, release the two keys after 3 seconds and the remote will auto off. Then restart the remote.

### B) Check and Edit the Frequency Point on the Remote:

**Feature:**

a) Revising the frequency point to eliminate the external disturbance. There are 12 revisable frequency points for user.

b) Multiple remotes sync-control becomes available when they use the same frequency point.

**Attn: After reset or revision of the frequency points in the remote, receivers can be used after learning the ID.**

### Check the Frequency Point on the Remote:

Turn on the remote, hold the "on/off" key until the red light flashes 3 times, and then the green light flashes. The number of the green flash will be the frequency point of the remote. You can only edit the frequency point after 3 seconds.

**Edit the Frequency Point on the Remote: In frequency changing state**

**Method 1:** Briefly press any key from 1-9 and the green light will flash in the same numbers. Press again any key or touch the color circle to exit the frequency edit state.

**Method 2:** Hold "on/off" key for 5 seconds and the green light will flash. The flash times plus 1 means the frequency point accumulate 1. In short, hold the "on/off" key 5 seconds each time, the frequency point will accumulate 1, which will again become value 1 when added to 12, and that cycle repeats.

## THE CHARGING METHODS FOR REMOTE CONTROL

1) When charging, please connect USB cable to the mobile charger or computer with the USB interface.

2) The blue indicator light flickers while charging, and turns green when the charging is completed. The remote control can be charged even at the OFF state, on which the indicator light is black.

3) No memory effect in the lithium battery of remote control. Follow the standard charging procedure even for the first three times, no need to over charge.

4) Red indicator light flickers meaning low battery and needs to be charged. Charging in low battery will affect life of battery.

5) The remote should be full charged and stored under low cold drying while a long time without being operated. And please fully charge the battery every 3 months.