

LED LINEAR HIGH BAY – MK SERIES



(1x4 version)



APPLICATIONS

- Warehouses
- Factories
- Gymnasiums
- Exhibition halls

PRODUCT SPECIFICATIONS

WATTAGES	1x2- 80W, 160W 1x4- 260W
COLOR TEMP	50K
EFFICACY	150 lm/W
LUMENS	80W - 12,000; 160W - 24,000; 260W - 39,000
INPUT VOLTAGE	120/277VAC
CRI	>80
DIMMING	0-10V
OPERATING TEMPS	-4 to 104F
AIRCRAFT CABLE	6.56 feet (standard)
DIMENSIONS	1x2- 12.50" x 23.75" x 2.875" 1x4- 12.50" x 45.75" x 2.875"
LENS	Frosted
RATED	IP20
LISTED	ETL
WARRANTY	5 year
REMOTE	Optional Sold Separately
SENSOR	90° Arm Microwave Sensor
EMERGENCY BATTERY	Optional

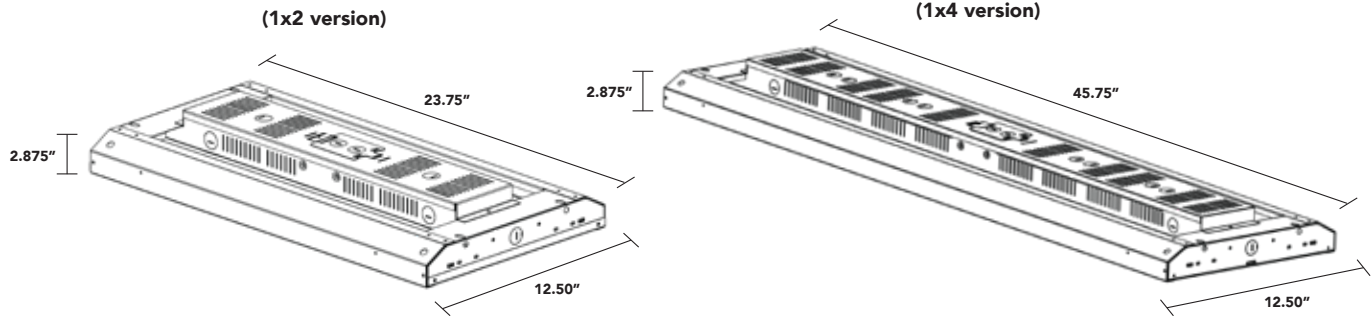
PRODUCT BUILDER

ex: ZL-HB-1X2-80W-50K-120/277V-MS-MK

TYPE	SIZE	WATTAGE	COLOR TEMP	INPUT VOLTAGE	OPTIONS	SERIES
ZL-HB	<input type="text"/>	<input type="text"/>	50K	120/277V	<input type="text"/>	MK
	1x2 1x4	1x2 80W 160W 1x4 260W	50K=5000K		MS= Microwave Sensor EM-25= Emergency Driver Blank=None	

LED LINEAR HIGH BAY – MK SERIES

DIMENSIONS



OPTIONS

EMERGENCY DRIVER



- **Optional Part Builder Number:** EM-25
- **If ordering separately, use Part Number:** BL-EMRG-FXT-25D-A
- **MODEL:** 25W
- **INPUT VOLTAGE:** 100-347VAC
- **OUTPUT VOLTAGE:** 170VDC
- **EMERGENCY POWER:** 25W
- **EMERGENCY TIME:** 90 mins
- **DIMENSIONS:** 13.1" x 1.97" x 0.94"
- **AMBIENT TEMPERATURE:** 32-122F
- **BATTERY:** Lithium
- **WARRANTY:** 5 year

90° ARM MICROWAVE SENSOR



- **PIR Sensor, 3PIN Style with 90° Angle**
- **Optional Part Builder Number:** MV
- **MODEL:** 25W
- **INPUT VOLTAGE:** 100-347VAC
- **OUTPUT VOLTAGE:** 170VDC
- **EMERGENCY POWER:** 25W
- **EMERGENCY TIME:** 90 mins
- **DIMENSIONS:** 13.1" x 1.97" x 0.94"
- **AMBIENT TEMPERATURE:** 32-122F
- **BATTERY:** Lithium
- **WARRANTY:** 5 year

OPTIONAL REMOTE



Optional Remote
Sold Separately

Part Number:
ZL-REMOTE-HD05R

AIRCRAFT CABLE (STANDARD)

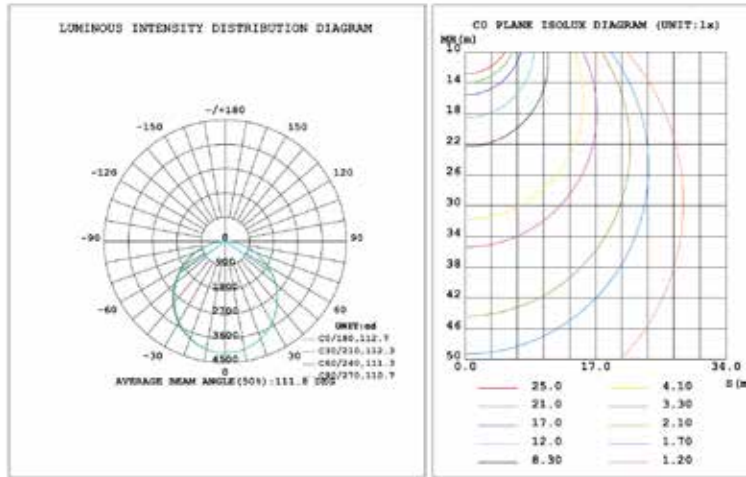
6.56 feet
(standard)



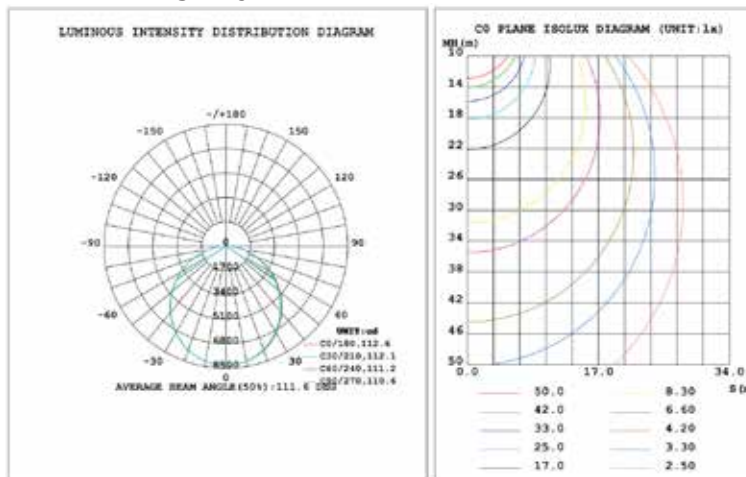
LED LINEAR HIGH BAY – MK SERIES

PHOTOMETRICS

80W Linear High Bay



160W Linear High Bay



260W Linear High Bay

