

120/277V 8" CCT SELECTABLE LED SURFACE MOUNT SPACE LIGHT WITH INTEGRAL PIR SENSOR

Slim Design .70"



CCT
SELECTABLE



INTEGRAL
PIR SENSOR



SURFACE MOUNT



APPLICATIONS

- Closets
- Workrooms
- Basements
- Storage areas
- Laundry rooms
- Utility rooms
- Attics
- Garages

Designed for indoor use only.

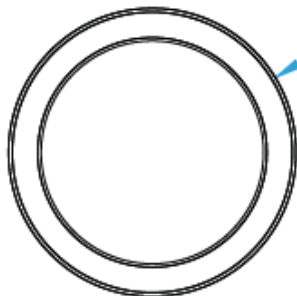


PRODUCT SPECIFICATIONS

WATTAGE	18W
COLOR TEMP	30/40/50K selectable
EFFICACY	90 lm/W
LUMENS	3000K - 1,487; 4000K - 1,716; 5000K - 1,551
INPUT VOLTAGE	120/277VAC
CRI	>80
BEAM ANGLE	110 degrees
DIMENSIONS	8.66" diameter; .70" thickness
LED LIFESPAN (L70)	30,000 hours
WARRANTY	5 year
RATED	IP20, damp location
LISTED	ETL
OPTIONAL TRIM COLOR	White Standard Included Black, Silver, Bronze
PART NUMBER	ZL-SLPIR-18W-CSK-120-277V



DIMENSIONS



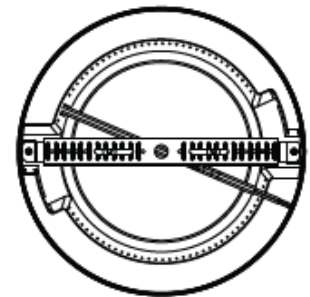
Front View

Diameter: 8.66"



Side View

Thickness: .70"



Back View

120/277V 8" CCT SELECTABLE LED SURFACE MOUNT SPACE LIGHT WITH INTEGRAL PIR SENSOR

Optional Trim Colors

White - Standard (Included)

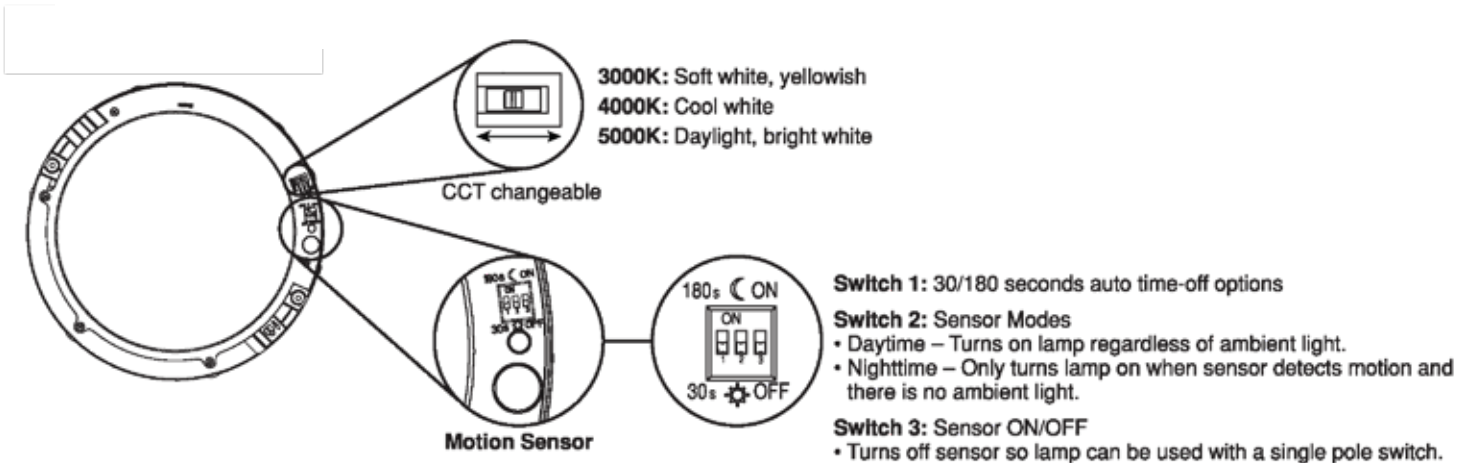


ZL-SLPRI-RINGONLY-BL
Black

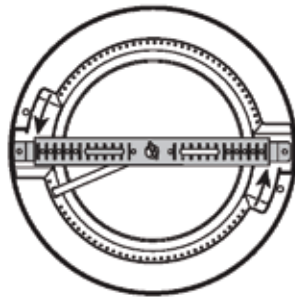
ZL-SLPRI-RINGONLY-SL
Silver

ZL-SLPRI-RINGONLY-BZ
Bronze

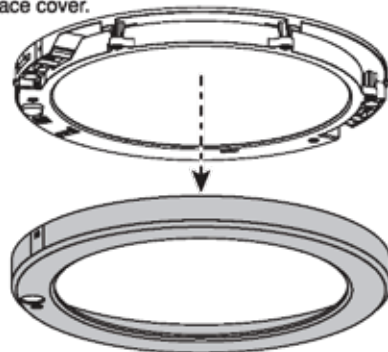
COLOR SETTING



1. Rotate bracket counter clockwise.



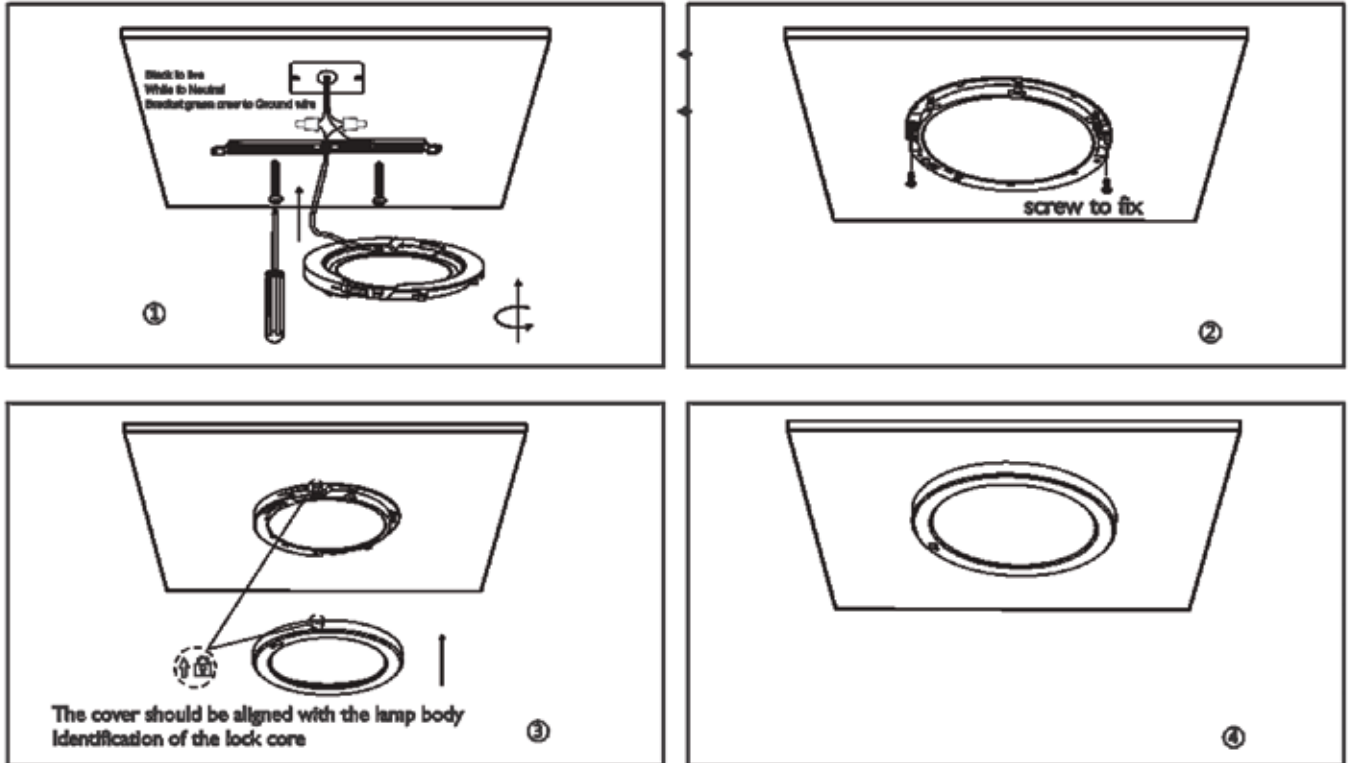
2. Remove surface cover.



120/277V 8" CCT SELECTABLE LED SURFACE MOUNT SPACE LIGHT WITH INTEGRAL PIR SENSOR

INSTALLATION

Flush-mount with bracket

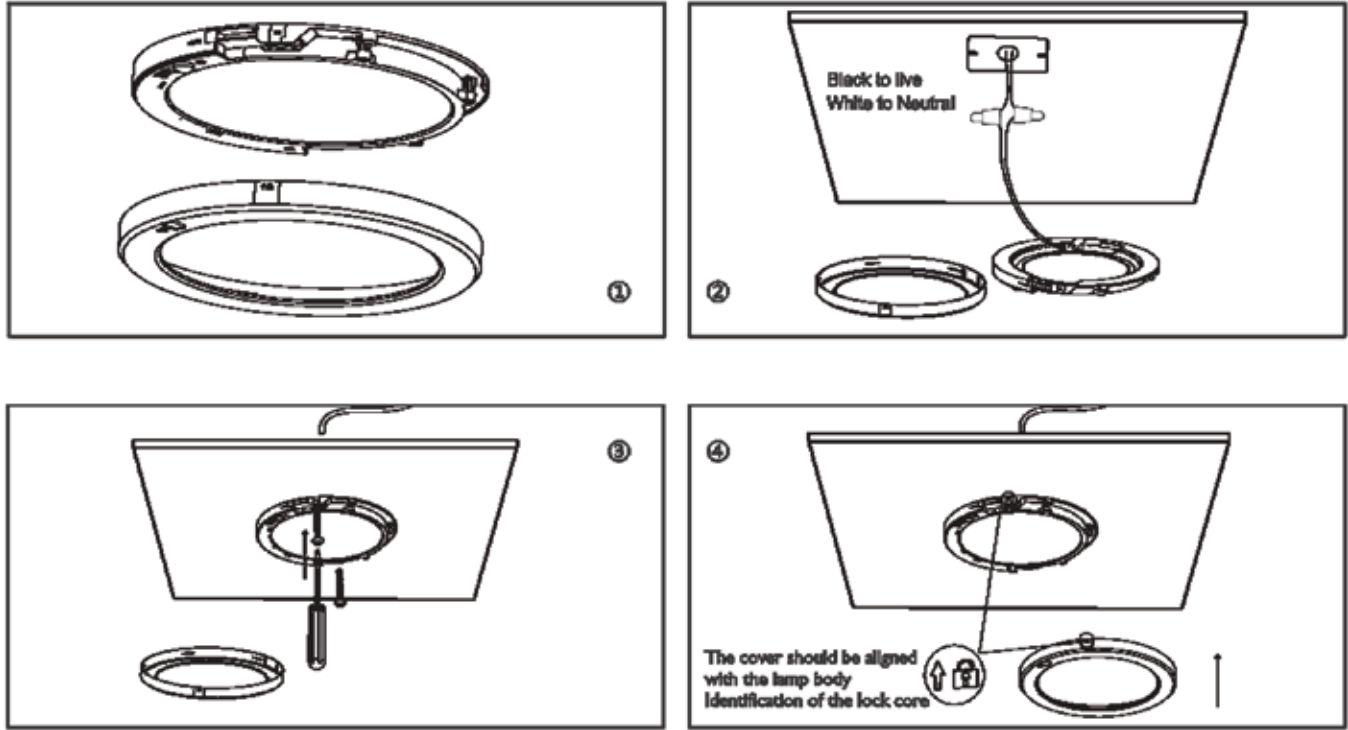


1. Take off the rim from the fixture.
Fix the bracket onto the junction box with screw, get through the main wire from the middle whole of the bracket.
Connect the ground wire to the green screw on the bracket
Connect the power supply cable to main wire: black in Live, white in Neutral Twist on the fitting to the bracket.
2. Fix the lamp with two screws
3. Install surface cover to light body. Ensure lock marks are matched.
4. The installation is complete

120/277V 8" CCT SELECTABLE LED SURFACE MOUNT SPACE LIGHT WITH INTEGRAL PIR SENSOR

INSTALLATION

Flush-mount without bracket



1. Take off surface cover
2. Connect power cable with terminal

3. Use screws fixing light onto roof through fixture housing holes
4. Install surface cover to light body. Ensure lock marks are matched.

NEW OR OLD WORK BOXES (PLASTIC)

METAL JUNCTION BOXES (NEW WORK)

Compatible with standard electrical gang boxes for direct, surface-mounted installation.

